

Telecom Series (AT) Air Conditioners



Proudly Engineered,
Tested / Listed,
and Manufactured
in the USA



VoltAire Systems AT Series (48 VDC) Air Conditioning Units are designed for high efficiency and high performance heat management of electronic enclosures or equipment.

Standard Features

- UL 484 Recognized
- UL Type 4 Enclosure Listed
- High efficiency rotary compressor
- Coated condenser coil (>6,000 hr salt spray)
- R134a refrigerant for high ambient operation
- GR487 compliant
- Low ambient cooling/head pressure control
- RoHS Compliant
- Acrylume corrosion resistant cabinet
- Compressor crank case heater
- Stainless steel exterior hardware
- Stainless steel base and evaporator pan
- Sloped top
- Temperature control board with LED status lights, adjustable settings for temperatures and alarms, self-test, and remote temperature sensor
- Compressor and fan modulation



Website:
www.voltairesys.com

Phone:
(407) 378-7482

Address:
2900 W. Orange Ave. Ste. 100
Apopka, FL 32703

VoltAire Doc. #CC1620C
Published: March 06, 2020



Optional Features

- Evaporator side heater element: 500W or 750W
- Condenser fan intake filter
- Custom paint finishes
- Stainless steel enclosure (UL Type 4X Enclosure)
- Ethernet controller with digital display

Applications

- Radio base stations
- Telecom shelters and indoor / outdoor OSP cabinets
- Network switching rooms and computer rooms
- Automation control cabinets, process control centers
- CNC machines
- Drive cabinets
- Digital advertisement boards, kiosk display systems
- Power supply cabinets, battery cabinets and rectifier cabinet

Technical Data

| Model | AT04RB | AT06RB | AT12RB |
|---|------------------------|-----------------------|---|
| Performance at 131°F / 131°F | | | |
| Nominal Capacity (BTU) | 4,000 | 6,000 | 12,000 |
| Operation Range (°F / °C) | -40 to 131 / -40 to 55 | | |
| Electrical Data | | | |
| Voltage Input (VDC) ±10% | 48 | 48 | 48 |
| MCA (Amps) | 12.3 | 22.5 | 31.7 |
| Unit Dimensions | | | |
| Height (in/mm) | 29.5 / 749 | | 47.3 / 1201 |
| Width (in/mm) | 17.4 / 441 | | 19.6 / 498 |
| Depth (in/mm) | 12.9 / 328 | | 12.2 / 310 |
| Weight (lbs/kg) | 74.7 / 33.9 | | 109.7 / 50 |
| Approvals | | | |
|  | | UL 484 and Type 4 (X) |  |



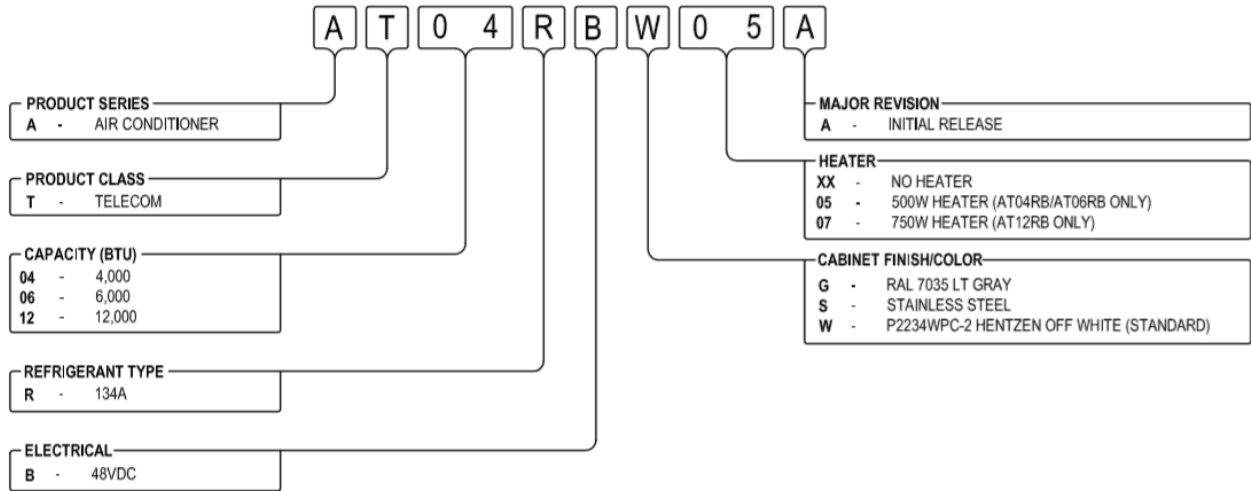
Website:
www.voltairesys.com

Phone:
(407) 378-7482

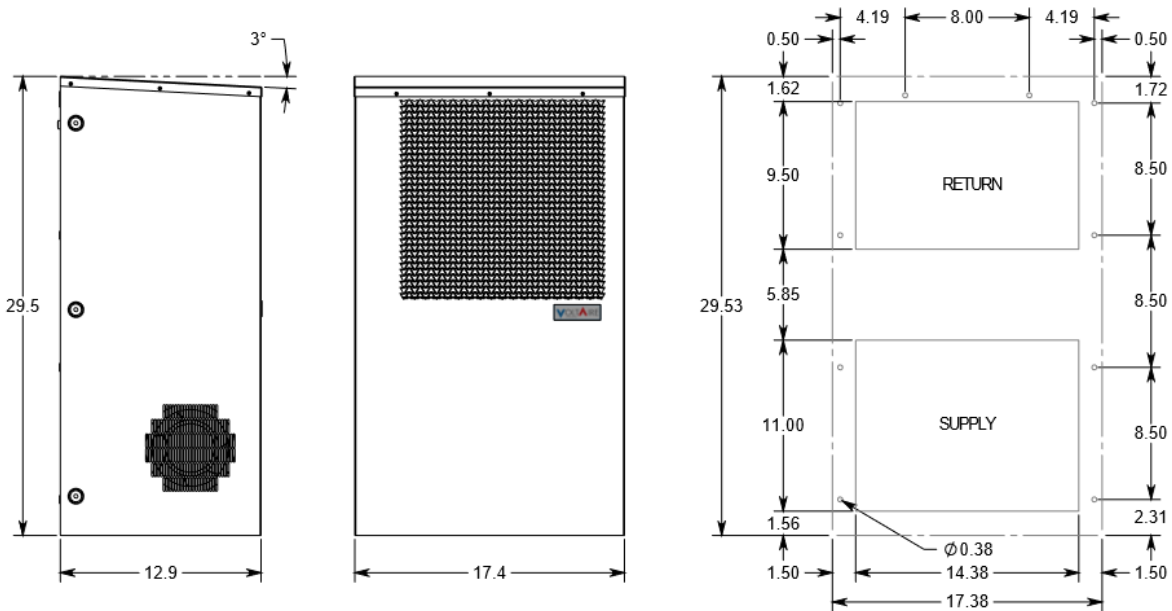
Address:
2900 W. Orange Ave. Ste. 100
Apopka, FL 32703

VoltAire Doc. #CC1620C
Published: March 06, 2020

Product Nomenclature



Mounting Diagrams – Overall Dimensions and Cabinet Cutouts



AT04-06 48 VDC



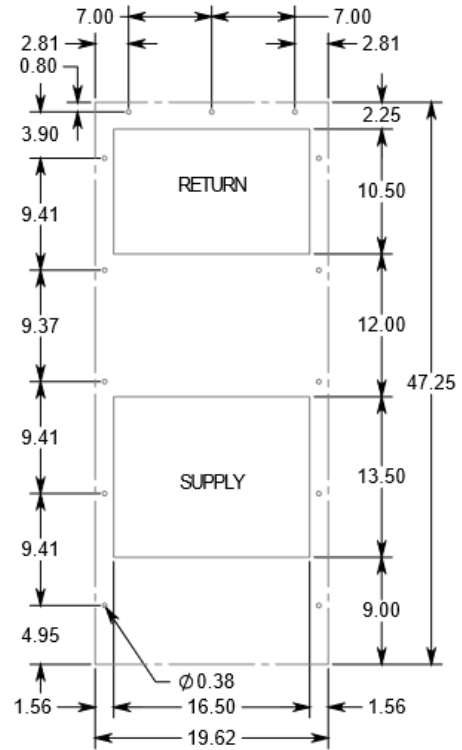
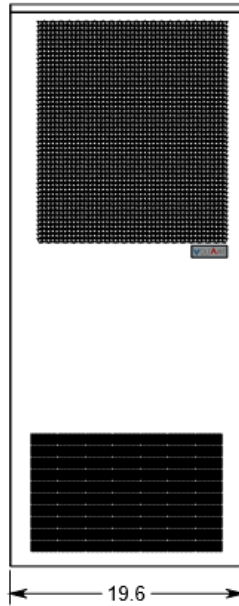
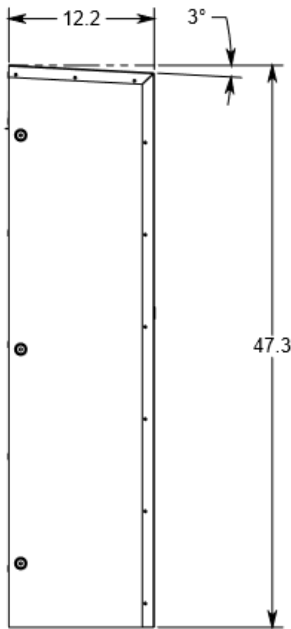
Website:
www.voltairesys.com

Phone:
(407) 378-7482

Address:
2900 W. Orange Ave. Ste. 100
Apopka, FL 32703

VoltAire Doc. #CC1620C
Published: March 06, 2020

Telecom Series (AT) Air Conditioners



AT12 48 VDC



Website:
www.voltairesys.com

Phone:
(407) 378-7482

Address:
2900 W. Orange Ave. Ste. 100
Apopka, FL 32703

VoltAire Doc. #CC1620C
Published: March 06, 2020