

Telecom Series (AT) Air Conditioners



Proudly Engineered,
Tested / Listed,
and Manufactured
in the USA



VoltAire Systems **AT Series** Air Conditioning Units are designed for high efficiency and high performance heat management of electronic enclosures or equipment.

Standard Features

- UL 484 Listed
- UL Type 4 Enclosure Listed
- High efficiency rotary compressor
- Coated condenser coil
- R134a refrigerant for high ambient operation
- GR487 compliant
- Low ambient cooling/head pressure control
- RoHS Compliant
- Acrylume corrosion resistant cabinet
- Stainless steel exterior hardware
- Stainless steel base and evaporator pan
- Sloped top
- 6' power cord with plug
- Electrical system with standard off-the-shelf components found at most HVAC parts stores
- Temperature control board with LED status lights, adjustable settings for temperatures, alarms, self-test, and remote temperature sensor



Website:
www.voltairesys.com

Phone:
(407) 378-7482

Address:
2900 W. Orange Ave. Ste. 100
Apopka, FL 32703

VoltAire Doc. #CC0117G
Published: March 06, 2020



Optional Features

- Evaporator side heater element: 500W, 750W, 1000W or 2000W
- Condenser fan intake filter
- Custom paint finishes
- Stainless steel enclosure (UL Type 4X Enclosure)
- Ethernet controller with digital display

Applications

- Radio base stations
- Telecom shelters and indoor / outdoor OSP cabinets
- Network switching rooms and computer rooms
- Automation control cabinets, process control centers
- CNC machines
- Drive cabinets
- Digital advertisement boards, kiosk display systems
- Power supply cabinets, battery cabinets and rectifier cabinets

Technical Data

Model	AT04		AT06		AT08		AT10		AT12		AT19	
Performance at 131°F / 131°F												
Nominal Capacity (BTU)	4,000		6,000		8,000		10,000		12,000		19,000	
Operation Range (°F / °C)	-40 to 131 / -40 to 55											
Electrical Data												
Voltage Input (VAC)	115*	230	115	230	115	230	230	230	230	230	230	230
MCA (Amps)	15*	5.3	10.2	7.7	16.4	8.7	10.1	10.1	11.7	11.7	11.7	24.4
Unit Dimensions												
Height (in/mm)	29.5 / 749				44.0 / 1107				53.0/1347			
Width (in/mm)	17.4 / 441				16.4 / 409				21.6/549			
Depth (in/mm)	12.9 / 328				12.3 / 310				17.0/432			
Weight (lbs/kg)	74.7 / 33.9				94.6 / 42.9				200.0/91			
Approvals												
			UL 484 and Type 4 (X)									

*Reciprocating compressor



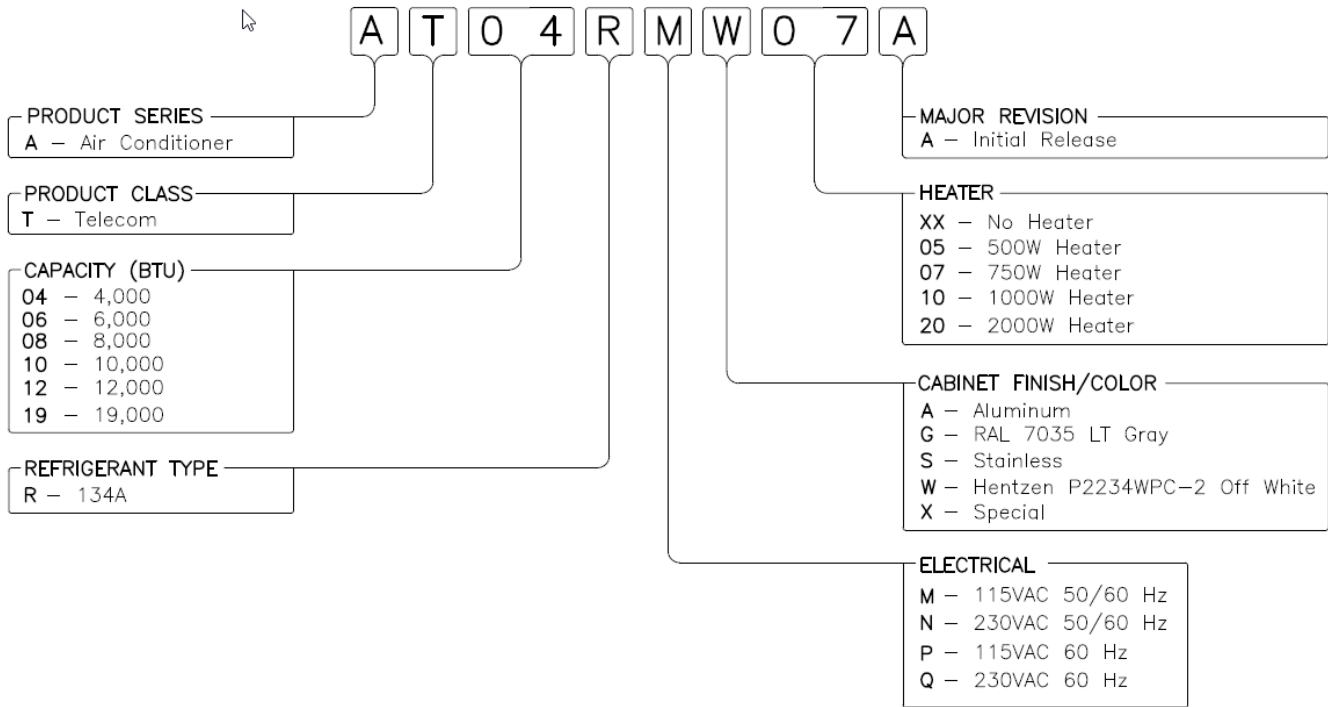
Website:
www.voltairesys.com

Phone:
(407) 378-7482

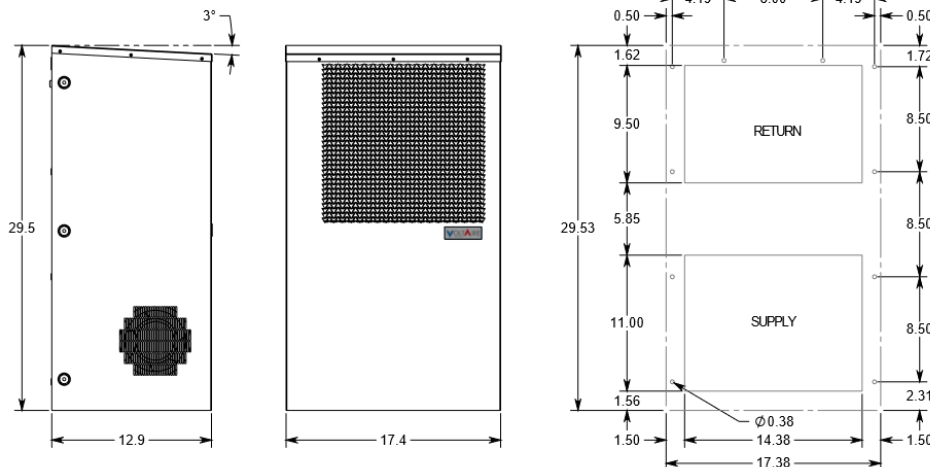
Address:
2900 W. Orange Ave. Ste. 100
Apopka, FL 32703

VoltAire Doc. #CC0117G
Published: March 06, 2020

Product Nomenclature



Mounting Diagrams – Overall Dimensions and Cabinet Cutouts



AT04 and AT06



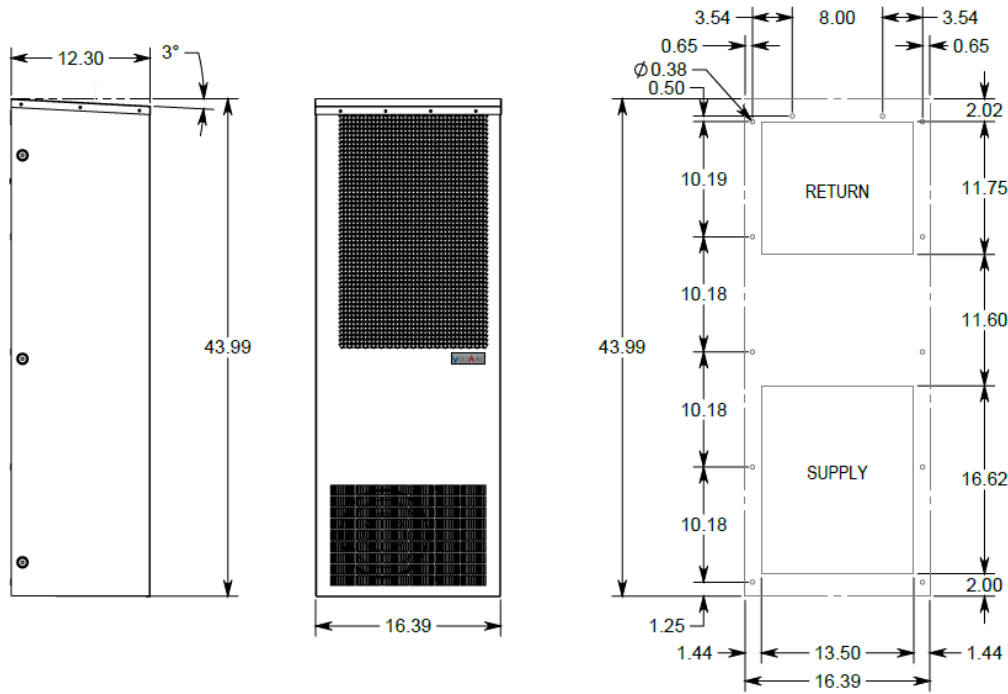
Website:
www.voltairesys.com

Phone:
(407) 378-7482

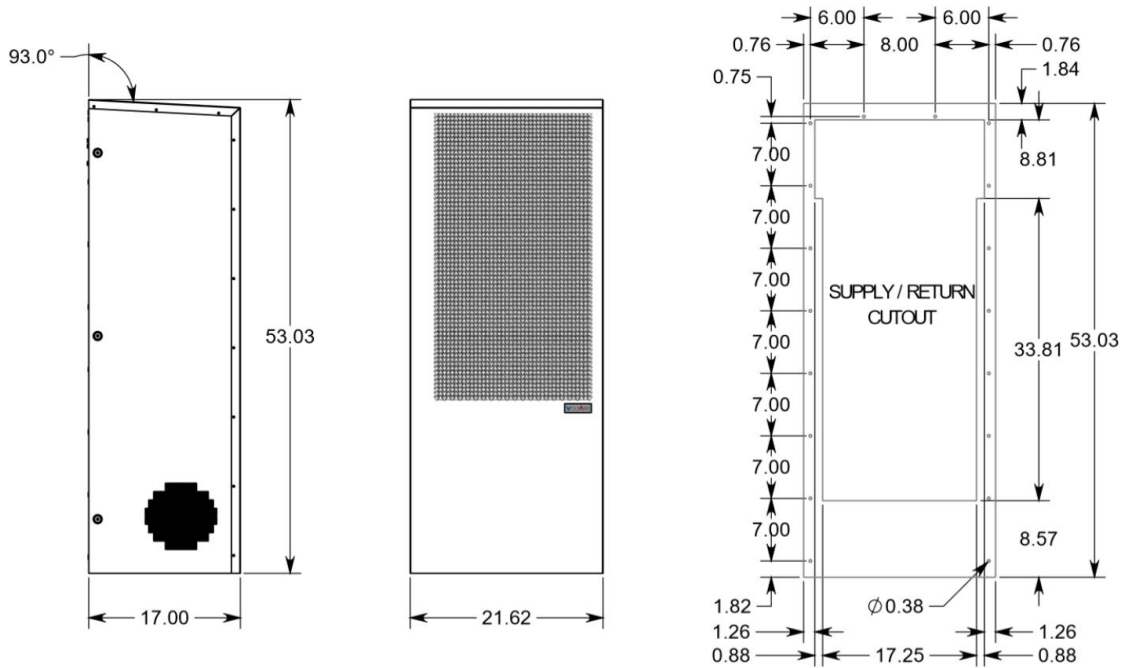
Address:
2900 W. Orange Ave. Ste. 100
Apopka, FL 32703

VoltAire Doc. #CC0117G
Published: March 06, 2020

Telecom Series (AT) Air Conditioners



AT08, AT10, and AT12



AT19



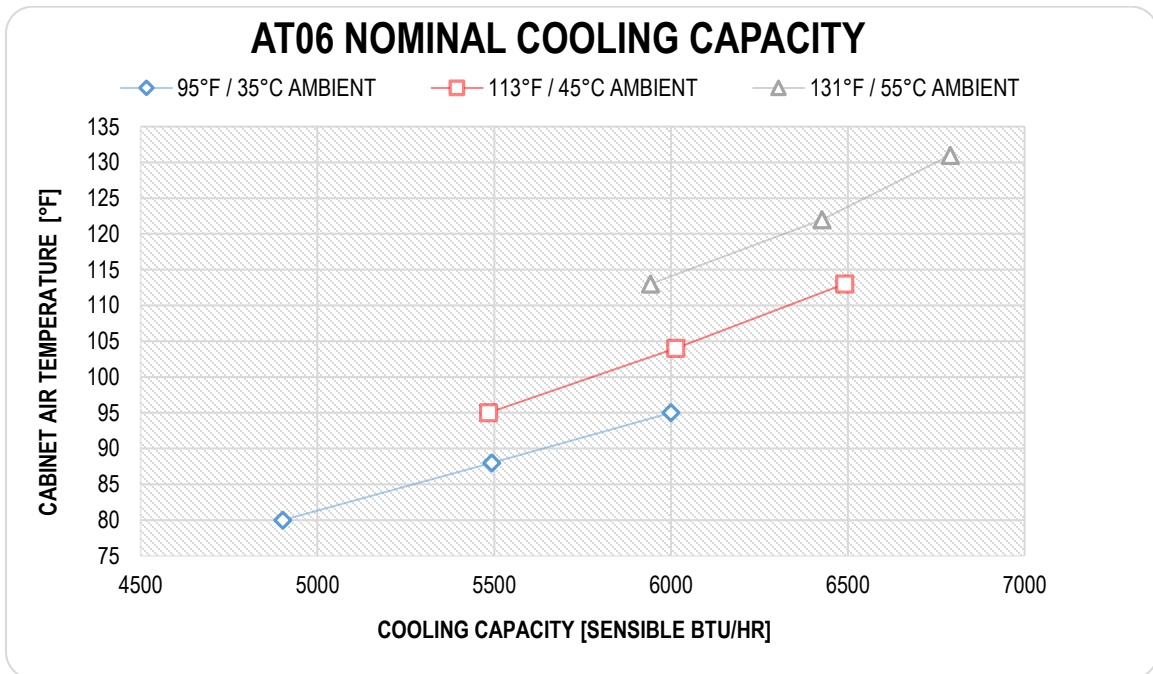
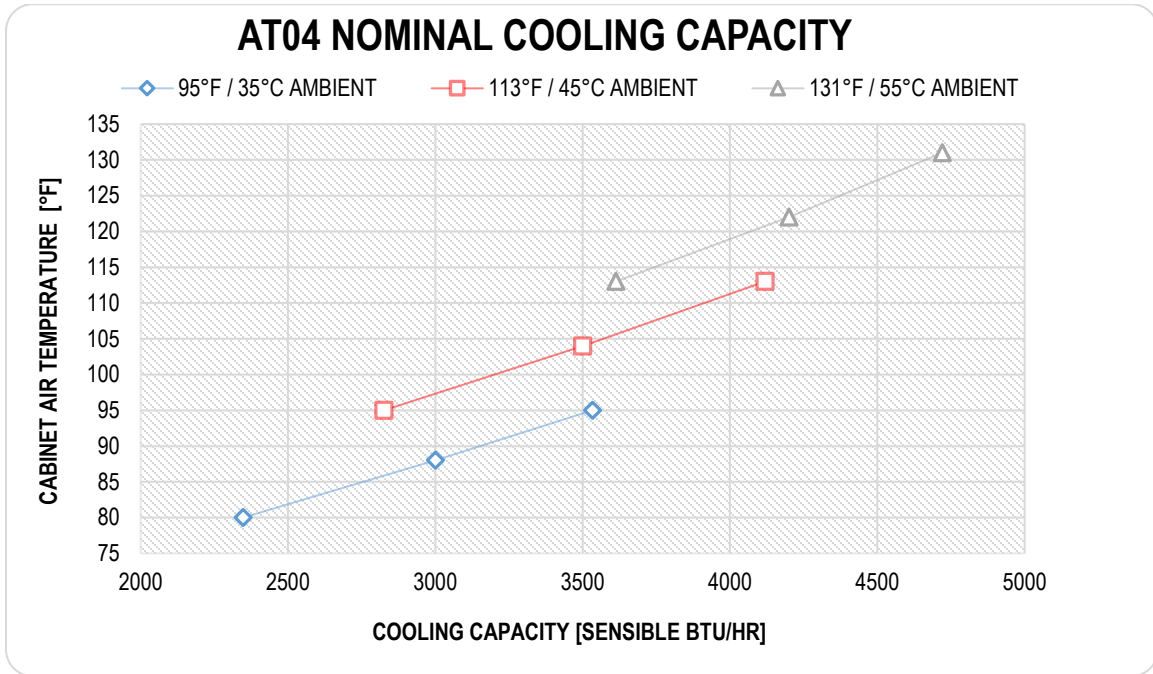
Website:
www.voltairesys.com

Phone:
(407) 378-7482

Address:
2900 W. Orange Ave. Ste. 100
Apopka, FL 32703

VoltAire Doc. #CC0117G
Published: March 06, 2020

Performance



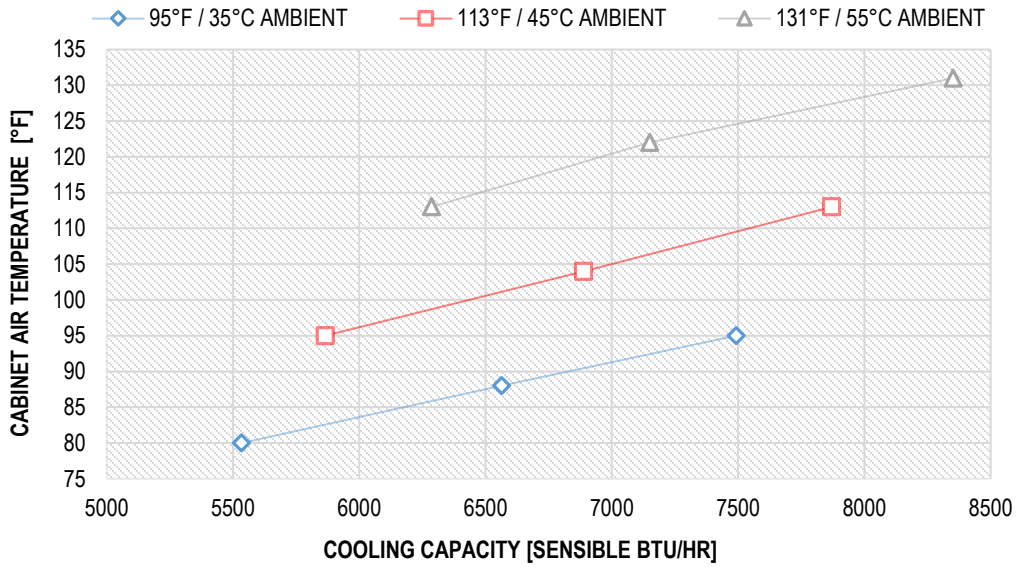
Website:
www.voltairesys.com

Phone:
(407) 378-7482

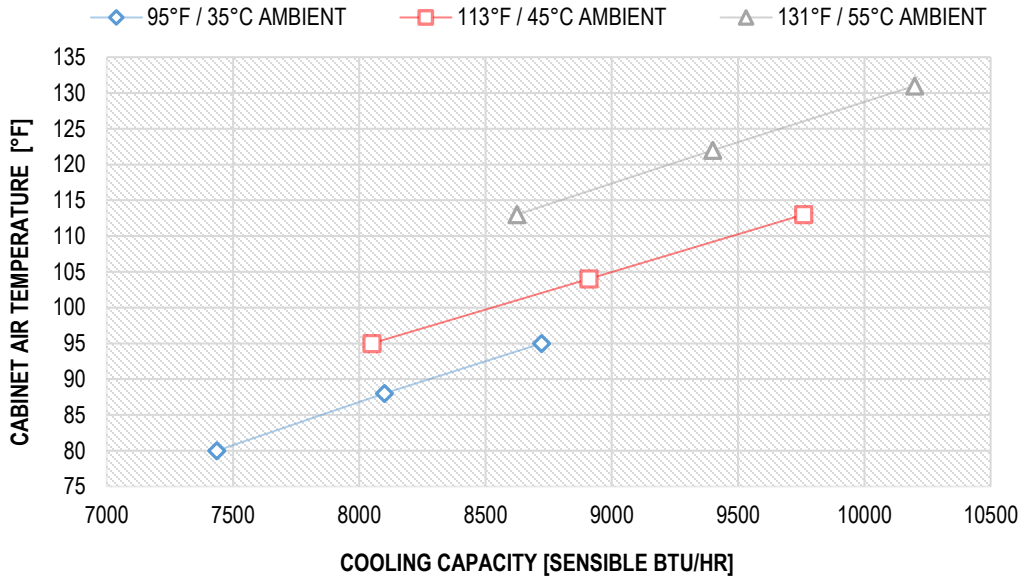
Address:
2900 W. Orange Ave. Ste. 100
Apopka, FL 32703

VoltAire Doc. #CC0117G
Published: March 06, 2020

AT08 NOMINAL COOLING CAPACITY



AT10 NOMINAL COOLING CAPACITY



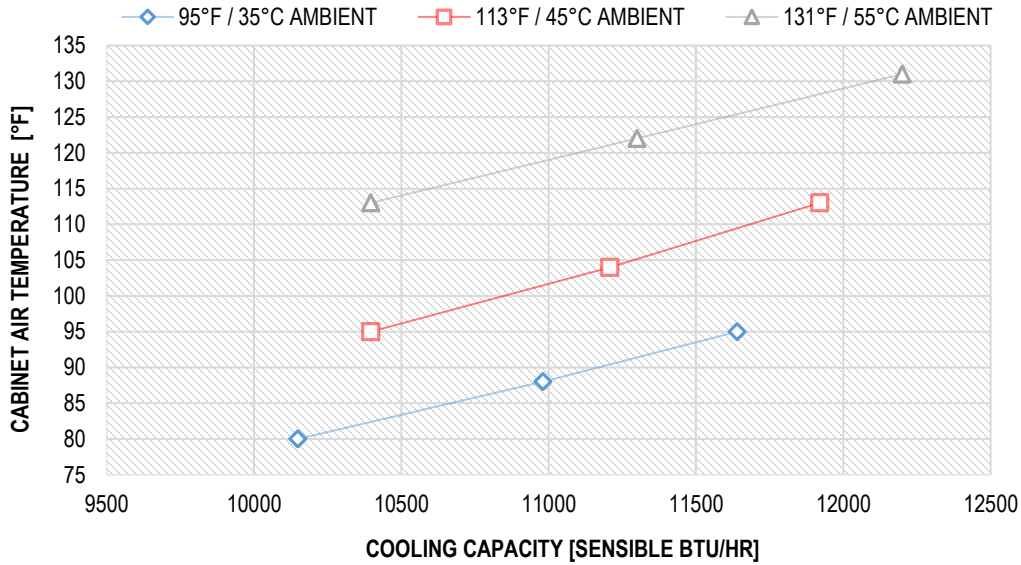
Website:
www.voltairesys.com

Phone:
(407) 378-7482

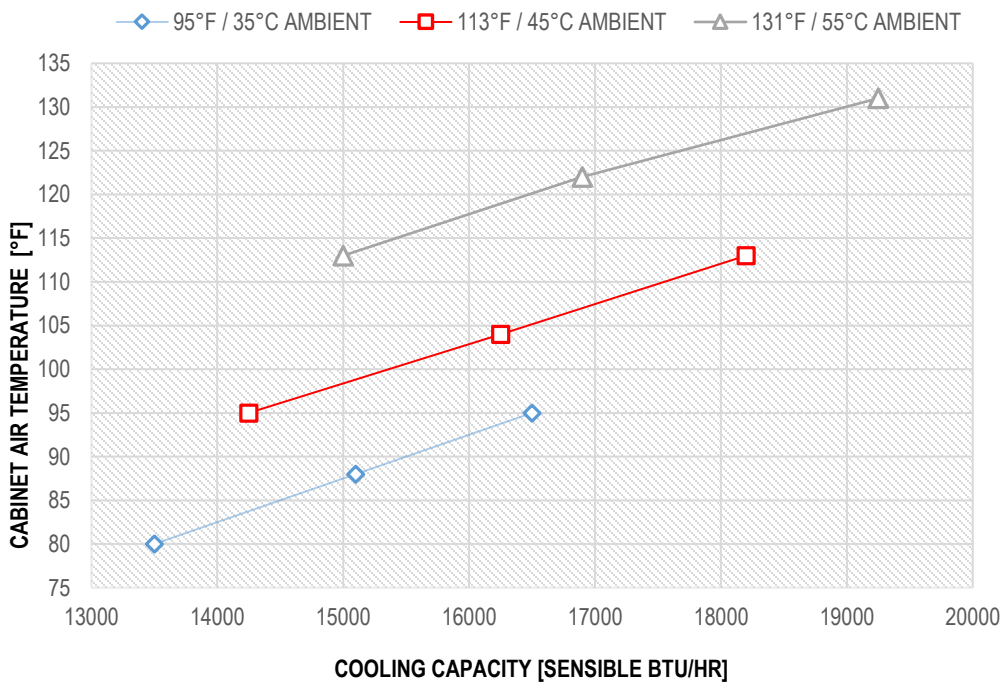
Address:
2900 W. Orange Ave. Ste. 100
Apopka, FL 32703

VoltAire Doc. #CC0117G
Published: March 06, 2020

AT12 NOMINAL COOLING CAPACITY



AT19 NOMINAL COOLING CAPACITY



Website:
www.voltairesys.com

Phone:
(407) 378-7482

Address:
2900 W. Orange Ave. Ste. 100
Apopka, FL 32703

VoltAire Doc. #CC0117G
Published: March 06, 2020