



## INSTALLATION, OPERATION, AND MAINTENANCE MANUAL FOR HTC SERIES HEAT EXCHANGERS



**Air-to-Air Counter Flow  
Heat Exchangers with Capacity of  
15W/F (27W/C), 20W/F (36W/C), 25W/F (45W/C),  
and 90W/F (173W/C)**

**48VDC MODELS**



Certified Type 4  
Enclosure





---

## REVISION HISTORY

REV*	DESCRIPTION	DATE
A	Initial Release	12/01/2017
B	Nomenclature	02/12/2018
C	90W/F (173W/C) Model Added	04/05/2019

\* A more recent revision may be available at [www.voltaresys.com](http://www.voltaresys.com) or the QR Code in the top right corner of every page.



## TABLE OF CONTENTS

1. Important Information to Review Prior to Installation, Operation, and Maintenance.....	Page 4
2. Parts Shipped Loose and Tools Required .....	Page 5
3. Product Description .....	Page 6
4. General Product Data .....	Page 7
5. Installation Instructions .....	Page 9
6. 48VDC Wiring, Startup and Controls Operation.....	Page 11
7. Cutout Drawing .....	Page 14
8. Electrical Wiring Diagrams.....	Page 16
9. 48VDC Control Board Trouble Shooting.....	Page 17
10. Recommended Maintenance .....	Page 18
11. Spare Parts.....	Page 18
12. Warranty.....	Page 19



---

## 1. IMPORTANT INFORMATION TO REVIEW PRIOR TO INSTALLATION, OPERATION AND MAINTENANCE

- Read the ENTIRE MANUAL prior to installing and maintaining the heat exchanger. Do not install or perform maintenance on the heat exchanger if you do not understand all of the instructions. Contact VoltAire at (407) 378-7482 with any technical questions or concerns.
- Warning: Improper installation and operation may cause property damage, personal injury or loss of life. The heat exchanger should only be installed and maintained by a qualified professional in strict accordance with the requirements within this manual and in accordance with all local, state and federal codes.
- In the event of a conflict, code requirements shall take precedence over the instructions provided within this manual. The installer should be aware of all code requirements and should fully comply.
- Use care when transporting and lifting the heat exchanger.
- Remove power from the unit during maintenance and installation, as line voltage may be dangerous, hazardous and lethal.
- Warning: Wear proper personal protection equipment, including but not limited to safety glasses, goggles and gloves. Edges may be sharp.
- A field provided time delay fuse or breaker must be provided with the power supply circuit serving the heat exchanger. The installer shall size this fuse or breaker in accordance with all applicable codes. Verify wire terminals and voltage prior to plugging into the heat exchanger, otherwise you may damage the heat exchanger's electrical components.
- For 48V DC power supply, verify polarity and apply correctly as improper operating voltage may result in unit damage.
- These instructions should be retained by the owner and/or with the unit.



## 2. PARTS SHIPPED LOOSE AND TOOLS/MATERIALS PROVIDED BY THE INSTALLER

### Materials Shipped Loose with the Heat Exchanger

#### a) Gasket kit

UNIT	PART NUMBER
HTC015*	A6F0002LAA
HTC020*	
HTC025*	
HTC090*	A6F0005VAA

#### b) Two (2) M6X25 Threaded Stud with two (2) M6 Nuts and two (2) M6 Lock Washers

#### c) M6x25 Mounting Bolts

UNIT	QUANTITY
HTC015*	8
HTC020*	
HTC025*	
HTC090*	13

#### d) 48" Long Wire Lead with Male Molex Plug 48VDC

UNIT	DESCRIPTION
48 VDC Models	48" Long Wire Lead with Male Molex Plug

### Required Tools and Materials provided by Installer

- |  |                             |
|--|-----------------------------|
| a) Fuse or Breaker                       | d) M6 HEX head screw driver |
| b) Exterior rated silicone sealant       | e) M6 Nut Driver/wrench     |
| c) M4 Torx tamper resistant screw driver | f) Torque wrench            |



### 3. PRODUCT DESCRIPTION

VoltAire Systems HTC Series Counter Flow Heat Exchangers are designed for high efficiency and high performance heat transfer in a closed airflow loop to prevent introduction of exterior air into the equipment/cabinet. The heat exchangers are an industrial heat management system especially designed for heat management of electronic enclosures or equipment, including those requiring battery backup. This product is a passive thermal management system without a refrigeration system and is designed for applications where the interior temperature may exceed the exterior (ambient) temperature. This product will work in extreme temperature range from -40°F to 158°F (-40°C to 70°C).

Figure 1 shows the exterior and interior airflow intake and exhaust locations. Exterior air enters the heat exchanger through the bottom of the unit and exhausts through the front. Interior air enters the intake through the rear top vents and discharges through the vents below it.

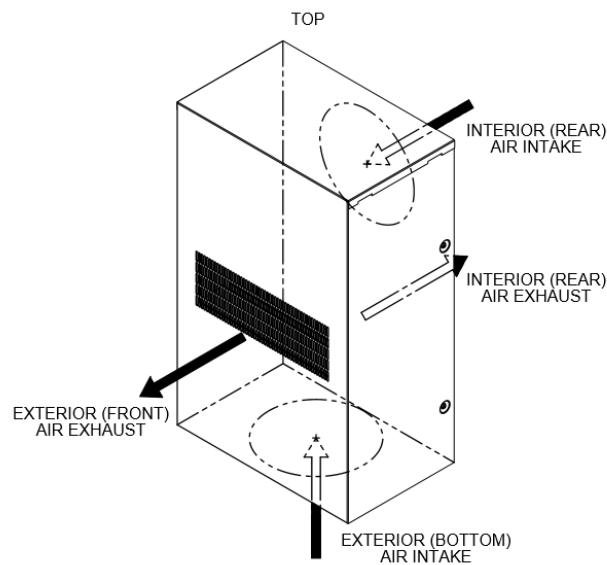


Figure 1 – Heat Exchanger Airflow

The heat exchangers are UL/cUL Recognized per UL 1995/CSA 22.2 NO. 236-15 and UL tested and UL Recognized for compliance with UL Type 4. HTC Series fans are salt fog certified by a 3rd party per GR-487-CORE 3.34.1 and ASTM B117 for 720 hours. The aluminum heat exchanger core is coated with epoxy for additional durability in corrosive atmospheres.

An integrated 48VDC control board is used to control fan speed to optimize energy performance while minimizing noise. The board is programmed to operate the interior and exterior fan based upon the interior temperature within the cabinet, equipment or building. The interior fan will operate at 25% capacity continuously when the cabinet is above 0°C and below 25°C. At 30°C, the exterior fan will energize and both the exterior and



interior fans will modulate from 25% to 100% between 25°C and 44°C. Reference Figure 9 for fan speed design based upon interior temperature.

The 48VDC board includes a general alarm for loss of fan or high temperature, with a continuous 12VDC output provided when no alarm is present. The 48VDC board is accessible by removing the cover and front panel of the unit as seen in Figure 4 on page 10. The 48VDC board includes a test button to verify operation, as described in Section 6.

The heat exchanger cabinet and brackets are fabricated out of acrylume for improved durability, a powder coated cover, and security screws attaches the cover to the heat exchanger. The unit is easily mounted to a cabinet or equipment with the enclosed field installed gasket and M6 mounting kit. All operable parts are accessible from the exterior of the cabinet allowing for maintenance without removal of the heat exchanger from the cabinet, equipment or building.

#### 4. GENERAL PRODUCT DATA

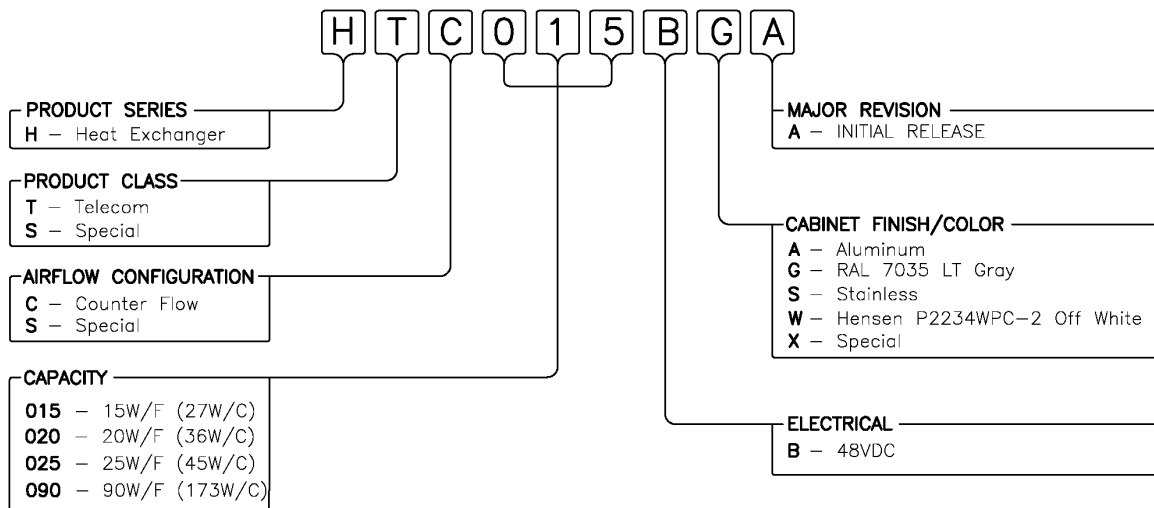


Figure 2 - Model Nomenclature

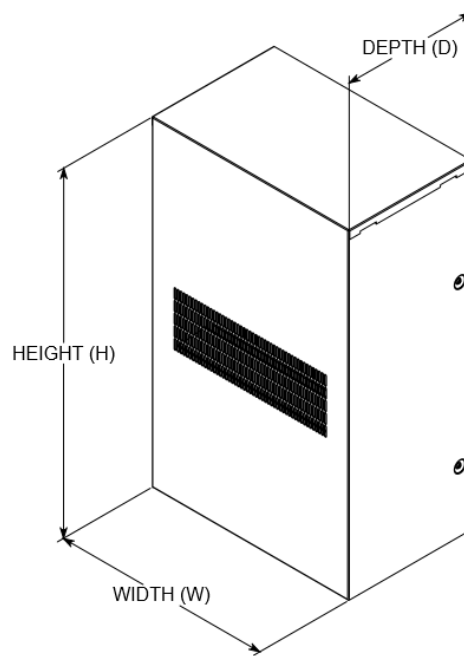


Figure 3 - Unit Dimensions

MODEL NUMBER	NOMINAL CAPACITY <sup>1</sup>	RATED VOLTAGE	FULL LOAD (AMPS) <sup>2</sup>	WEIGHT (lbs.)	NOMINAL SIZE W x H x D (in.)
HTC015B	15 W/°F (27 W/°C)	48 VDC	0.5	22.4	12.3 x 20.0 x 7.6
HTC020B	20 W/°F (36 W/°C)		0.8		
HTC025B	25 W/°F (45 W/°C)		1.7		
HTC090B	90 W/°F (173 W/°C)		4.8	86	19.4 x 46.3 X 11.3

<sup>1</sup> Capacity is nominal based upon free airflow without restrictions; Locating the heat exchanger where airflow is restricted may reduce capacity; Nominal capacity is at exterior temperature of 45°C (113°F) and interior temperature of 55°C (131°F), Δ 10°C (Δ18°F)

<sup>2</sup> Field provided fuse or breaker is required; Installer shall verify size and insure compliance with all applicable codes.



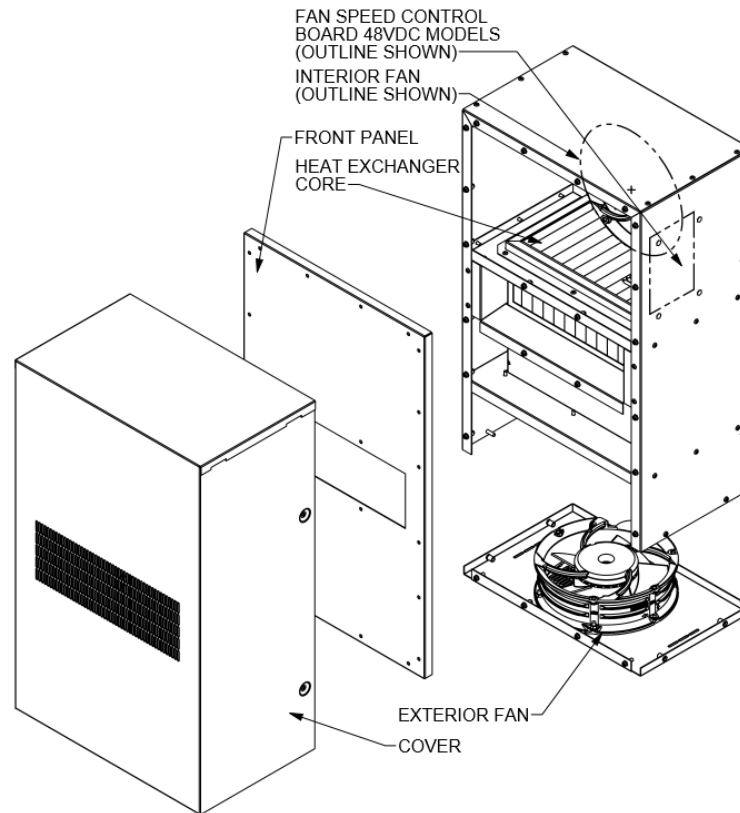
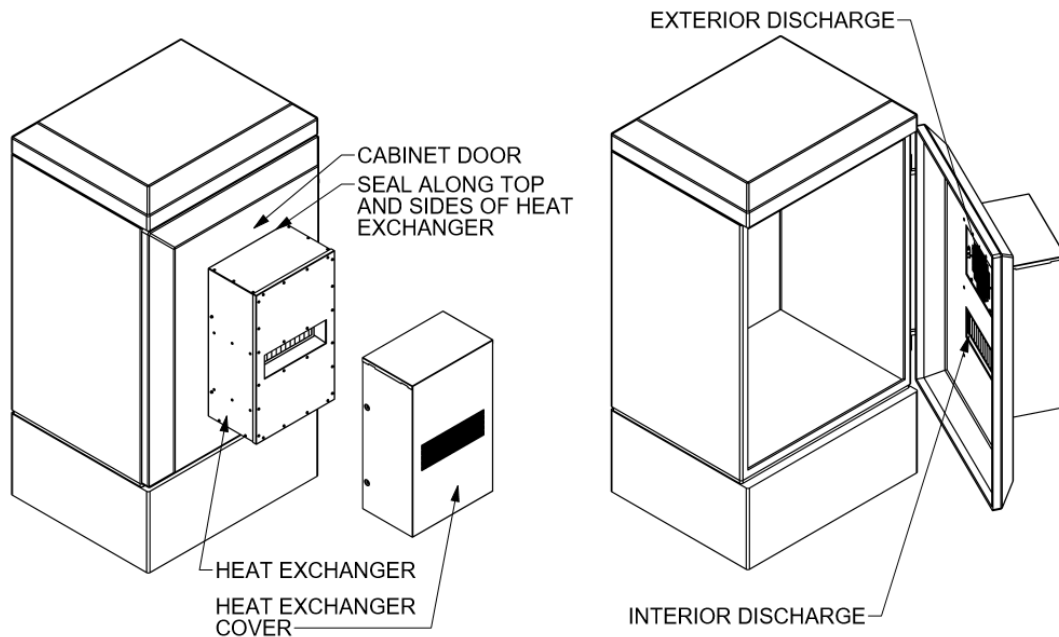


Figure 4 – HTC Series Heat Exchanger Configuration  
(Note: HTC090 has front exterior air intake)

## 5. INSTALLATION INSTRUCTIONS

The heat exchanger can be installed on any flat vertical surface. Do not install the unit in a horizontal position and verify the unit is level. The heat exchanger should be located on a cabinet or equipment such that airflow is not restricted by obstructions of the interior or exterior intake and exhaust openings. Obstruction of airflow will reduce capacity of the heat exchanger.

Using the cutout template shown in Section 7, Figure 10, prepare the wall for the interior intake and exhaust openings and fastener locations. Clean the mounting surface to remove any dust, grease and/or debris, including any metal burrs resulting from metal cutting.



**Figure 5 - Typical Installation**

Remove the cover from the heat exchanger by removing the M4 Torx security screws on the sides of the cover. Set the cover to the side as it will not be placed back on the unit until installation is complete.

Using the gasket kit provided, place the gasket on the back of the heat exchanger immediately abutting the mounting-hole locations. Figure 7 reflects the location of the gasket with the hatched area. Insure there are no gaps in the gasket and verify the entire perimeter is sealed with gasket.

Insert two (2) M6x25 threaded studs provided into the top left and right corner mounting holes on the back of the unit. These studs are provided to allow the unit to be placed on the cabinet in a temporary manner while the other fasteners are installed. Do not over-tighten these studs as they will be tightened fully when the nuts are installed. Install the M6x25 bolts and washer at each of the mounting locations. Install the M6 nuts and washers on the M6 studs. Tighten the M6 mounting bolts and nuts on the M6 studs to 50 in-lbs torque.

From the exterior, inspect the gasket to verify the gasket is tight and there are no visible leakage points. Using a field supplied sealant, seal around top, bottom and sides of the heat exchanger against the cabinet. Note that the heat exchanger is fully maintainable without removal from the cabinet/equipment, therefore this sealant will not be required to be removed for the purpose of routine maintenance. Therefore use a liberal amount of sealant. Once the sealant is sufficiently dry, place the heat exchanger cover on the heat exchanger and fasten with the security screws.

Installation of the heat exchanger is complete, with the exception of applying power and starting the unit per the instructions below.

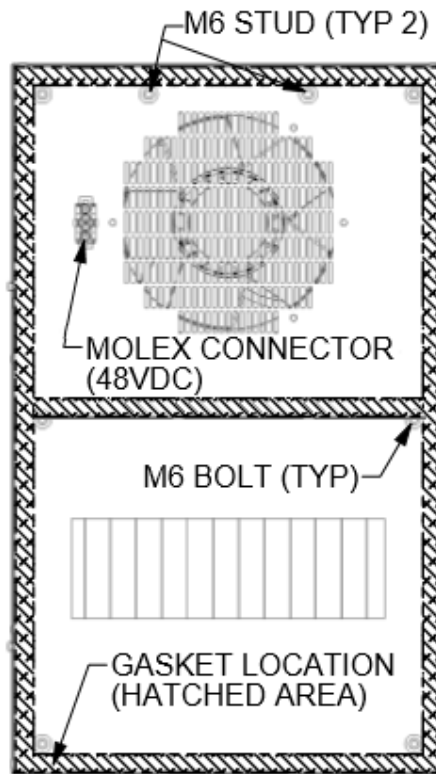


Figure 6 – Rear/Back of Heat Exchanger

## 6. 48 VDC MODEL WIRING, START-UP AND CONTROLS INSTRUCTIONS

**STOP AND READ BEFORE PROCEEDING!** Proceed with **CAUTION** as the 48VDC must be wired with the proper polarity. Failure to connect the 48VDC power cable correctly may damage the heat exchanger control board and/or motors. Verify supply voltage is nominal 48VDC, with no more than 20% voltage variation. The connection to the heat exchanger shall be made with a male connection with the pin numbers and wire locations as shown in Figure 7. A 48" long lead with male molex connector is shipped loose for connection to the power source. A time delay fuse or breaker is required and shall be sized per applicable code.

Ensure that the heat exchanger is fully assembled and verify that the fans are protected with the provided covers. Any loose parts/tools shall be removed and be careful to avoid body contact with the moving fans.

The 48VDC internal power cable is to be installed by the installer. The internal power/alarm wire with molex plug is shipped within the lower air flow cutout. The installer is to place the molex into the cutout on the rear of the unit, as shown in Figure 7. Insert the molex plug into the opening snapping it into place.



Apply power to the unit: the unit may not automatically operate if temperatures are not within the range as shown on Figure 9. The control board, as shown below in Figure 8, is designed for simple operation. The board includes a test button, which will operate the fans at maximum 100% capacity for a period of 2 minutes and 30 seconds. Upon startup, press and hold the button for 2 seconds and the unit will begin test mode. The test mode will continue until the test period ends, or the test mode button is pushed again for 2 seconds.

The board includes a potentiometer to adjust maximum fan speed. The default setting from the factory is maximum 100% airflow capacity. Lowering the fan speed, thus reducing heat exchanger capacity, may be necessary to reduce noise and/or to reduce energy use. To allow testing and real time adjustment of the maximum fan speed, the test button may be activated and fan speed adjusted with the potentiometer during the test sequence.

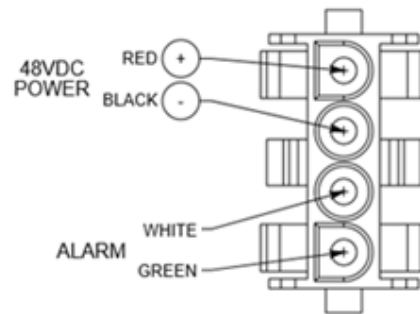
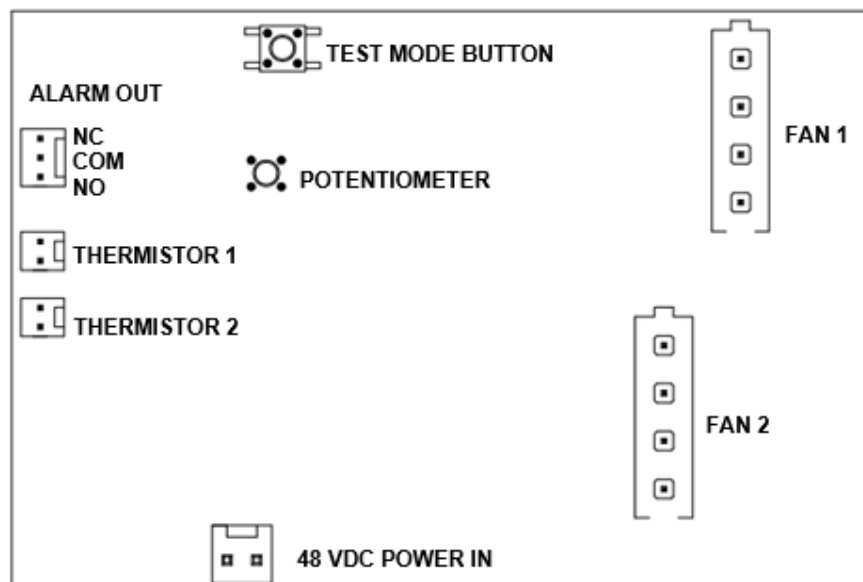


Figure 7 – 48 VDC Wire Connections



The alarm output is a Form C contact closure which is rated at 2A at 30VDC. Form C is essentially a SPDT switch



without data transmission. NO (Normally Open) and NC (Normally Closed) contacts are provided for alarm output. Upon an active alarm the contact will close if NC pins are used or open if NO pins are used. An alarm state will be triggered by a temperature alarm at 65°C, a fan failure, and/or thermistor failure.

FIGURE 8 – CONTROL BOARD DRY CONTACT NO/NC ALARM

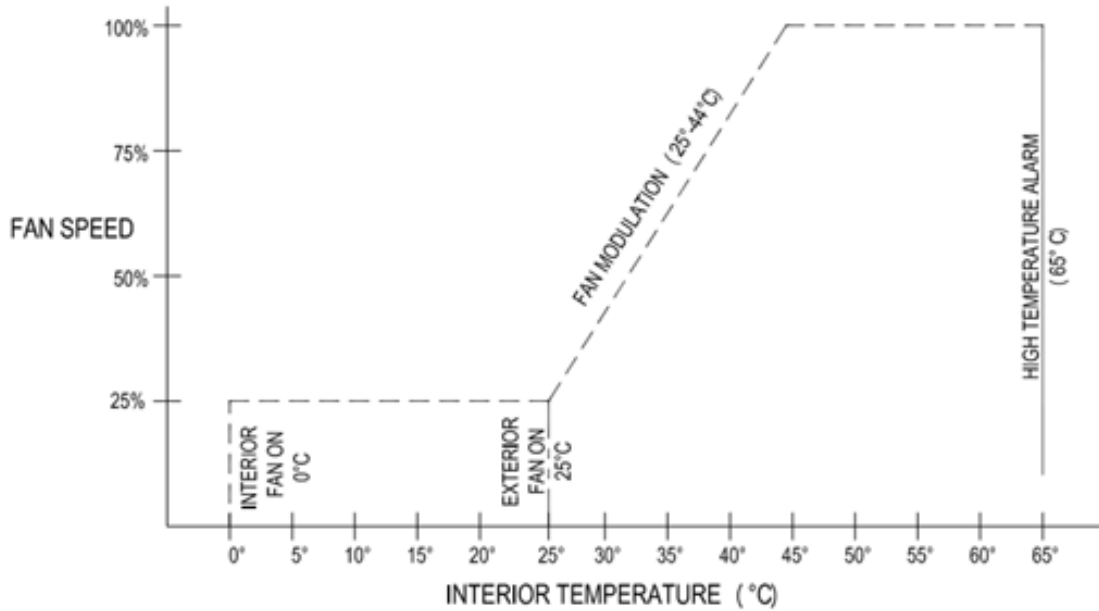


Figure 9 - Fan Speed/Interior Temperature Graph



## 7. CABINET/EQUIPMENT CUTOUT DRAWINGS

The mounting/cutout drawings below reflect the interior airflow intake and exhaust cutouts as well as the mounting-hole spacing/size for the M6 mounting studs and bolts.

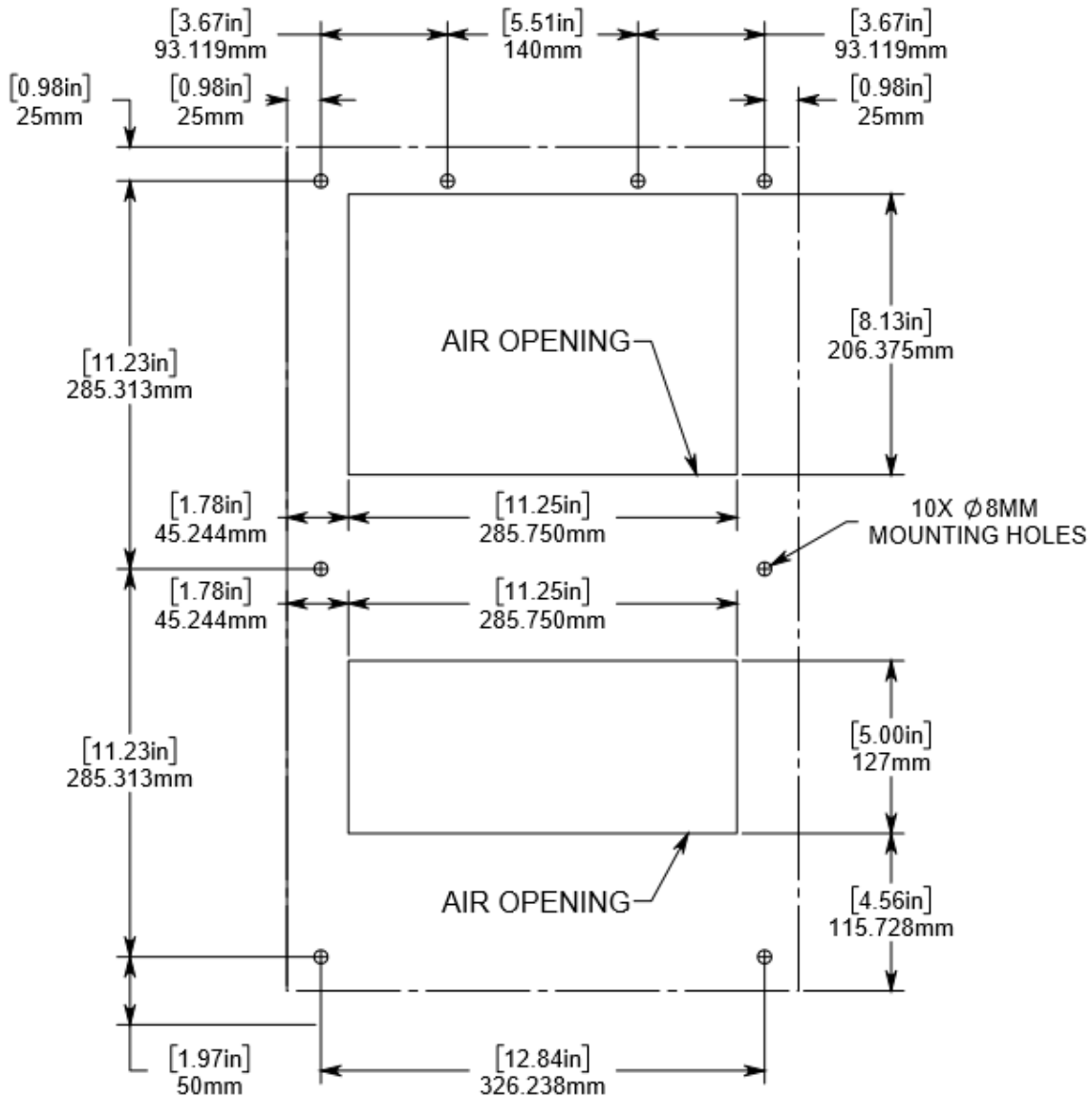


Figure 10 – HTC015, HTC020 and HTC025 Mounting Template

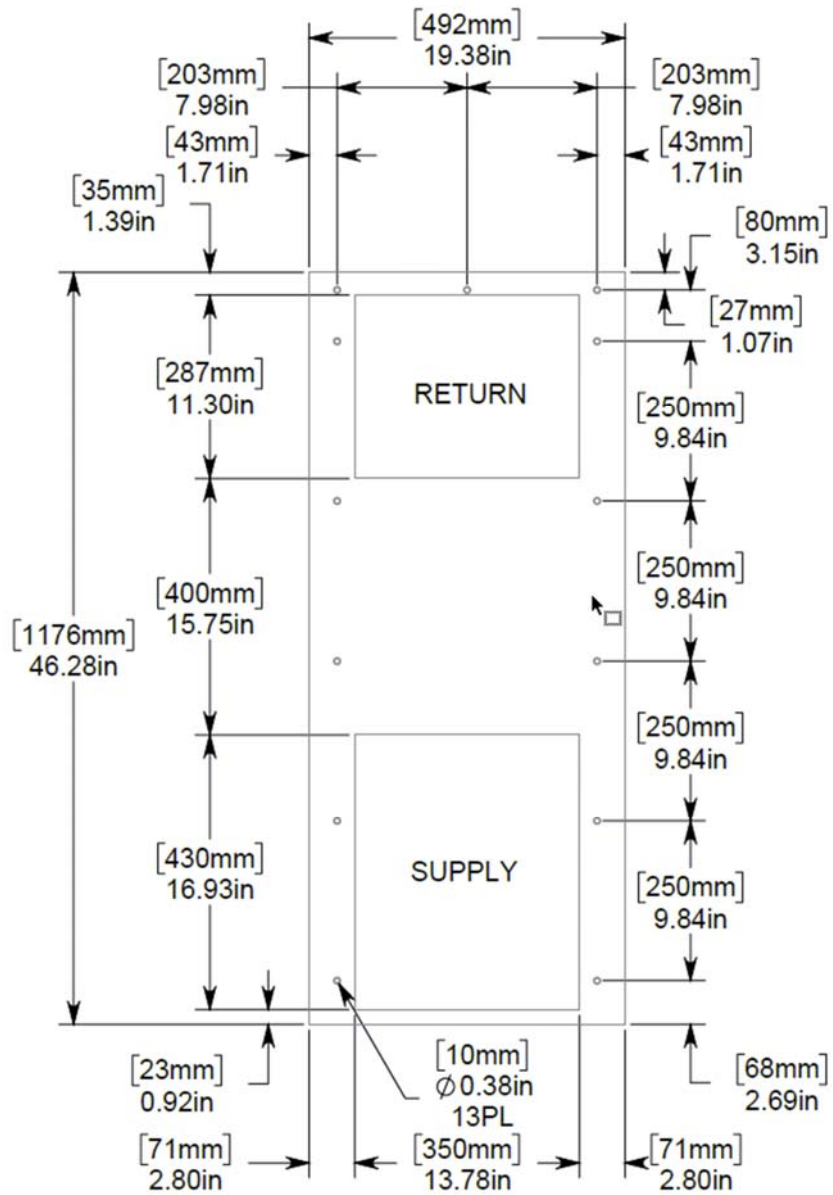


Figure 11 – 090 Mounting Template



# 8. ELECTRICAL WIRING DIAGRAMS

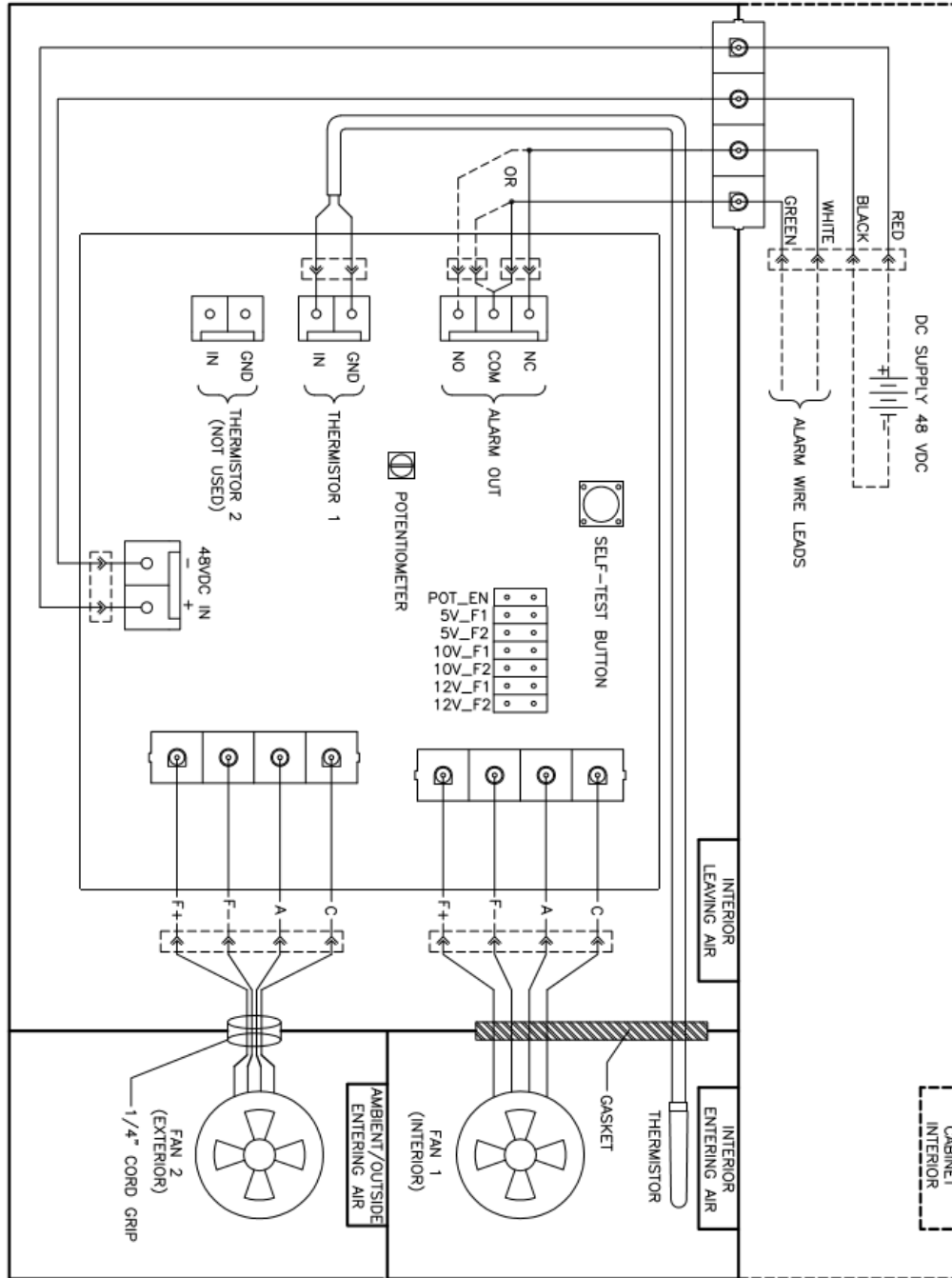


Figure 12 – 48VDC Wiring Diagram for all 48VDC Models with a Speed Control Board





---

## 9. 48VDC CONTROL BOARD OPERATION AND TROUBLESHOOTING

The Voltaire Systems DC control board has an alarm function that activates a Form C contact closure alarm under the following circumstances. The board is designed with both a Normally Open and Normally Closed contact option. This is selected based on the pin usage on the board. Upon alarm, the contacts will close if Normally Open is selected or will open if Normally Closed is selected. Note that these alarms are capable of being present during test mode.

- An internal temperature exceeding 65C will result in an alarm. The board will go into an alarm state but continue to command the fans to operate at 100% speed. A high temperature alarm may be the result of a bad fan motor, defective thermistor, board failure or inadequate heat exchanger size for the heat load.
- The loss of thermistor input will result in an alarm. If the thermistor is defective or disconnected, the control board will go into an alarm state but continue to command the fans to operate at 100% speed. To access the thermistor, remove the cover and the front panel, and the thermistor is located in the upper left hand chamber of the interior airflow path (rear of unit). First check that the thermistor is properly installed and plugged into the board. If detached, plug the thermistor into the board at the THRM1 board terminal, reassemble the unit with front panel and cover, and retest. The NTC thermistor is 10,000 ohms at @ 25°C and uses the J Temperature-Resistance curve. If the thermistor is not functioning properly and has failed, remove the power from the Heat Exchanger model and replace the thermistor and re-test.
- A loss of fan will result in an alarm. The board will go into an alarm state but continue to command the fans to operate at 100% speed. Determine which fan is not running and operating properly by using the test button, remove power to the unit, check all wire connections to ensure you have good connections to the defective fan. If you find that there are no connection problems replace the fan. Once you have a replacement fan remove the cosmetic cover and the front cover to expose the fans, replace the defective fan, reconnect the wires, replace the front panel and cover and apply power to the unit and retest.
- A loss of power to the board will result in an alarm state.



## 10. RECOMMENDED MAINTENANCE

Although the heat exchangers are designed to require minimal maintenance, it is recommended that the units be inspected periodically for proper operation. The following items can be reviewed during other routine maintenance of the cabinet/equipment:

- In order to verify the operation of the interior and external fans, use the control board test button to verify operation of the interior and exterior fans.
- Verify that the unit is sealed properly. The field sealing of the unit to the cabinet/equipment should be inspected to ensure proper sealing (See Section 5).
- The heat exchanger core includes two flow paths, an interior and exterior. These flow paths may be vacuumed to remove any dust and dirt. To do so, remove the supply voltage to the unit to ensure that the fans are not operating.
  - For HTC015/HTC020/HTC025, remove the heat exchanger cover by removing the Torx security screws on the left and right side. Remove the front panel to gain access to both the interior and exterior flow paths and vacuum both sides. Replace the front panel, verify proper sealing, and replace the cover.
  - For HTC090, use the access panels on the interior side to gain access to both the interior and exterior airflow path and vacuum both sides. Replace the access panels, verify proper sealing, and replace the cover

## 11. SPARE PARTS

HEAT EXCHANGER MODEL NUMBER(S)	PART NUMBER	PART DESCRIPTION
HTC015B	A4Z0003VA*	48VDC 15W Controller 0-12VDC Control
HTC020B	A4Z0004VA*	48VDC 20W Controller 0-12VDC Control
HTC025B	A4Z0005VA*	48VDC 25W Controller 0-12VDC Control
HTC***B (All Capacities)	Y4S0001RAA	Thermistor
HTC015B, HTC020B, HTC025B	C3S0007RAA	Interior and Exterior Fans
HTC090B	C3S0006RAA	Interior and Exterior Fans



---

## 12. WARRANTY

### VOLTAIRE SYSTEMS THERMAL UNITS NON-TRANSFERABLE STANDARD LIMITED WARRANTY, DISCLAIMERS, AND LIMITATIONS OF LIABILITY

**(Applies to All Heat Exchangers, Pressurization Units,  
Fan Units, and Air Conditioners)**

The VoltAire Systems, LLC ("VoltAire") Non-Transferable Limited Warranty ("Limited Warranty") is applicable for 12 months following the shipment of the product to the original purchaser ("Purchaser") defined as the "Warranty Period". VoltAire warrants to the original purchaser during the Warranty Period that all materials and workmanship are free of defects of quality and operation that would impair the usefulness of the original air conditioner, fan unit, pressurization unit or heat exchanger (collectively herein referred to as "Product") during the Warranty Period. This Limited Warranty is for all components of the Product, except filters, when installed and operated under the following conditions:

- A. In strict accordance with the Product's Installation and Operation Manual, as may be revised from time to time with the latest version available at [www.voltairesys.com](http://www.voltairesys.com).
- B. Maximum voltage variation no greater than plus or minus 10% of nameplate nominal rating.
- C. Maximum frequency variation no greater than plus or minus 3 Hz. of nameplate nominal rating.
- D. Must not exceed minimum and maximum stated temperatures on the nameplate.
- E. Not to exceed (BTU/Hr.) rating, including any heat sink, as indicated on the nameplate.
- F. Installed per all local, State and Federal legal requirements.
- G. The unit must not be restarted for a period of five (5) minutes after intentional or accidental shut-off of a compressor. (This does not apply to heat exchanger or filter fan.)

The Limited Warranty is void and not applicable if:

- A. The Product is installed improperly
- B. The Product is not maintained properly, including prolonged operation with dirty filters or coils
- C. The Product is modified, abused and/or tampered
- D. The Product is applied in an incorrect manner, including operation within a corrosive atmosphere (including but not limited to coastal applications)
- E. The Product is used with the incorrect refrigerant (air conditioners)
- F. The Product is damaged and/or inoperable due to accidents or events beyond the reasonable control of VoltAire and Acts of God
- G. The Product is repaired with parts not provided by VoltAire
- H. The Product is installed and operated outside the United States, Mexico, and/or Canada.

Damage during freight is not included with this Limited Warranty. The Purchaser must insure the Product is installed by a competent, professional, qualified contractor, following all local, state, and national legal requirements and industry standards. The Purchaser must provide adequate maintenance (e.g. filter changes, coil cleanings).

The Limited Warranty covers the Product for the Purchaser only during the Warranty Period, and the Limited Warranty does not include any labor, freight, and/or consequential damages or loss. Upon Notification by the Purchaser, VoltAire solely reserves the right to either, as Purchaser's sole remedy:



- 
- Ship replacement parts to the Purchaser for the Purchaser's infield replacement of the part. Infield replacement will require the Purchaser to provide a purchase order to VoltAire for the standard cost of the part and after infield replacement return the original part to VoltAire with freight cost by Purchaser. Within fourteen (14) days of receipt of the returned part VoltAire will review and analyze the returned part. If the part is found to be defective by VoltAire a credit will be issued to the Purchaser. Parts returned to VoltAire and found not to be defective will result in no credit applied to Purchaser's account and the Purchaser will be required to pay for the replacement part.
  - Or, request the return of the Product for evaluation. Return of the Product must be preceded by the issuance of a VoltAire Return Merchandise Authorization (RMA). The RMA will require that shipping costs be paid by the Purchaser to return the Product to VoltAire. Within fourteen (14) days of receipt of the returned Product VoltAire will review and analyze the Product. If the Product is determined by VoltAire to be defective, VoltAire may repair or replace the Product, and will ship the Product to the Purchaser for the Purchaser's installation in the field with no labor costs reimbursed by VoltAire. If the Product is determined by VoltAire to NOT be defective, the Purchaser will be notified and a Purchase Order must be issued in the amount required for the Product to be packaged and returned to the Purchaser.

#### DISCLAIMERS AND LIMITATIONS OF LIABILITY:

THIS LIMITED WARRANTY CONSTITUTES THE ENTIRE WARRANTY FOR THE VOLTAIRE PRODUCT AND IS IN LIEU OF ALL OTHER WARRANTIES, EXPRESS AND IMPLIED, INCLUDING ANY WARRANTY OF MERCHANTABILITY AND WARRANTY OF FITNESS FOR A PARTICULAR PURPOSE. THERE ARE NO WARRANTIES WHICH EXTEND BEYOND THE DESCRIPTION ON THE FACE HEREOF.

VOLTAIRE IS NOT RESPONSIBLE FOR INCIDENTAL OR CONSEQUENTIAL DAMAGES OF ANY NATURE WHATSOEVER, INCLUDING, BUT NOT LIMITED TO, LOST PROFITS, ATTORNEYS FEES, AND LOSS OF USE DAMAGES.

VOLTAIRE EXCLUDES ALL LIABILITY FOR OR ARISING FROM ANY NEGLIGENCE ON ITS PART OR ON THE PART OF ANY OF ITS EMPLOYEES, AGENTS, OR REPRESENTATIVES IN RESPECT TO THE MANUFACTURE OR SUPPLY OF GOODS, INCLUDING THE PRODUCT, OR THE PROVISION OF SERVICES RELATING TO THE GOODS, INCLUDING THE PRODUCT.

THIS LIMITED WARRANTY, DISCLAIMER, AND LIMITATION OF LIABILITY SHALL SUPERSEDE ANY TERMS OF PURCHASE PROVIDED BY THE PURCHASER AT THE TIME OF THE PURCHASE, AND THE LIMITATION OF LIABILITY SHALL SURVIVE FROM THE DATE OF THE PURCHASE TO THE DATE OF DISCONTINUED USE. SOME STATES DO NOT ALLOW THE EXCLUSION OR LIMITATION OF INCIDENTAL OR CONSEQUENTIAL DAMAGES, SO THE ABOVE LIMITATION OF CONSEQUENTIAL DAMAGES MAY NOT APPLY.